

# Purchase Order Design

1 \_\_\_\_\_

2 \_\_\_\_\_

3 \_\_\_\_\_

4 \_\_\_\_\_

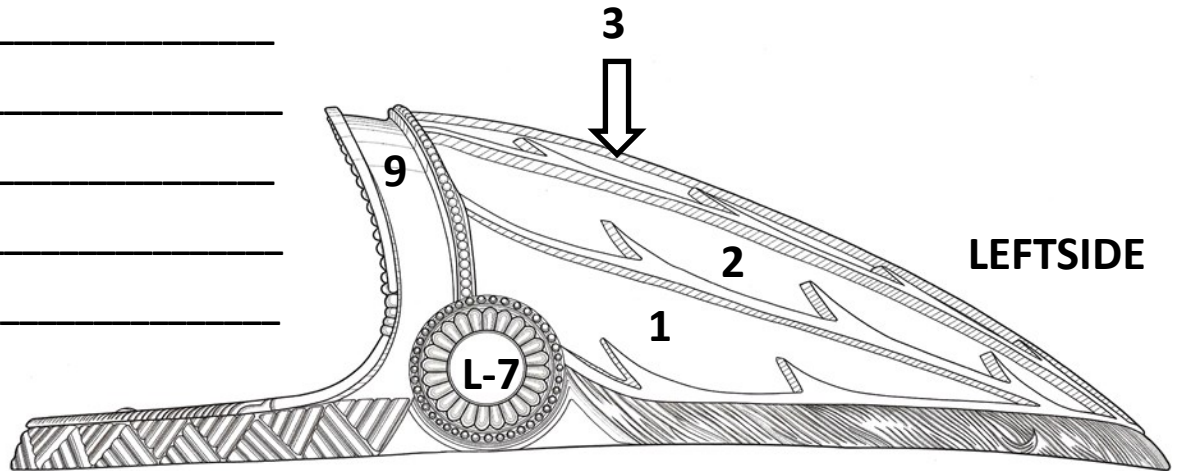
5 \_\_\_\_\_

6 \_\_\_\_\_

L-7 \_\_\_\_\_

R-7 \_\_\_\_\_

For each number fill in type of materials or colors to use.  
 Leave blank if no materials are to be used.



**9 Headband wraps above the glass face.** Below are three options. Pick just One: **A Seed beads**, **B square stones** OR **C leave blank**.

**A Seed Beads** (artist design choice, up to 5 colors)

1 \_\_\_\_\_

2 \_\_\_\_\_

3 \_\_\_\_\_

4 \_\_\_\_\_

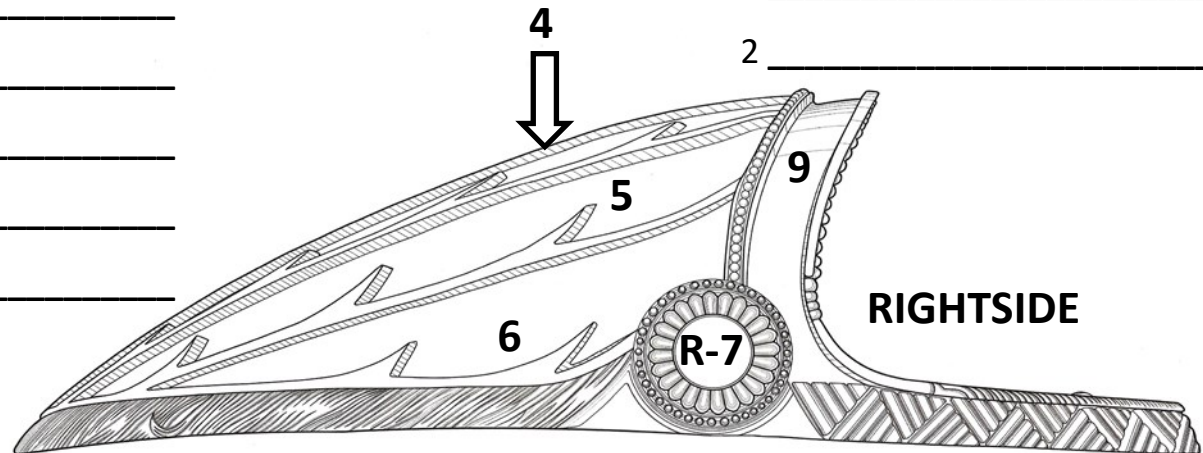
5 \_\_\_\_\_

**B Square Stone Pattern** (2 colors)

1 \_\_\_\_\_

2 \_\_\_\_\_

**C Leave headband Blank**



*Purchase Order Design*

**Name:** \_\_\_\_\_

**Email:** \_\_\_\_\_

**Phone Number:** \_\_\_\_\_

**Shipping Address:** \_\_\_\_\_

\_\_\_\_\_

\_\_\_\_\_

**Motorcycle Year:** \_\_\_\_\_ **Brand:** \_\_\_\_\_

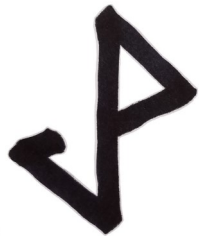
**Line:** \_\_\_\_\_

**Color description of Bike:**

\_\_\_\_\_

\_\_\_\_\_

\_\_\_\_\_



**Instagram/artbonnetbusiness\_ artbonnet41@gmail.com 970-422-2490**